

## LEGEND

- Glue
- \* Cutout - make a hole



Model : No. 0367/VI/14



# Optimus Prime - Age of Extinction

## Transformers 4 Papercraft - Arms and Sword (Final part)

It was the end of my trip in designing paper model template for Transformers 4 Optimus Prime. I am very relieved with the completion of this model, because there are many interesting models I need to make after this. In this final section, I close it by releasing the arm and a sword. In the assembly instructions I give specific instructions for Optimus's right arm. The left side is the same as the right but in opposite direction. I also give two pages of patterns for the arms part that not holding the sword. So you can choose 2 pose, that is a pose that both arms are holding a sword and both arms pose hanging on the side. Both poses use many of the same part, only a few different key parts. Enjoy this paper model and thank you for all your supports and inputs in the making this paper model template.

### DISCLAIMER

Paper-replika is not affiliated or representation of Dreamworks SKG or Hasbro. Paper-replika is a nonprofit un official fan & hobby site. This is a fan made model,

**DO NOT USE FOR ANY COMMERCIAL PURPOSES, PLEASE USE FOR PERSONAL USE ONLY.**

All trademarks mentioned is belong to its respective owners - **Hasbro - Dreamworks SKG**

Visit : [www.transformersmovie.com](http://www.transformersmovie.com)

**Assembly Instructions - click here**

Petunjuk Perakitan

papercraft by Julius Perdana 2014

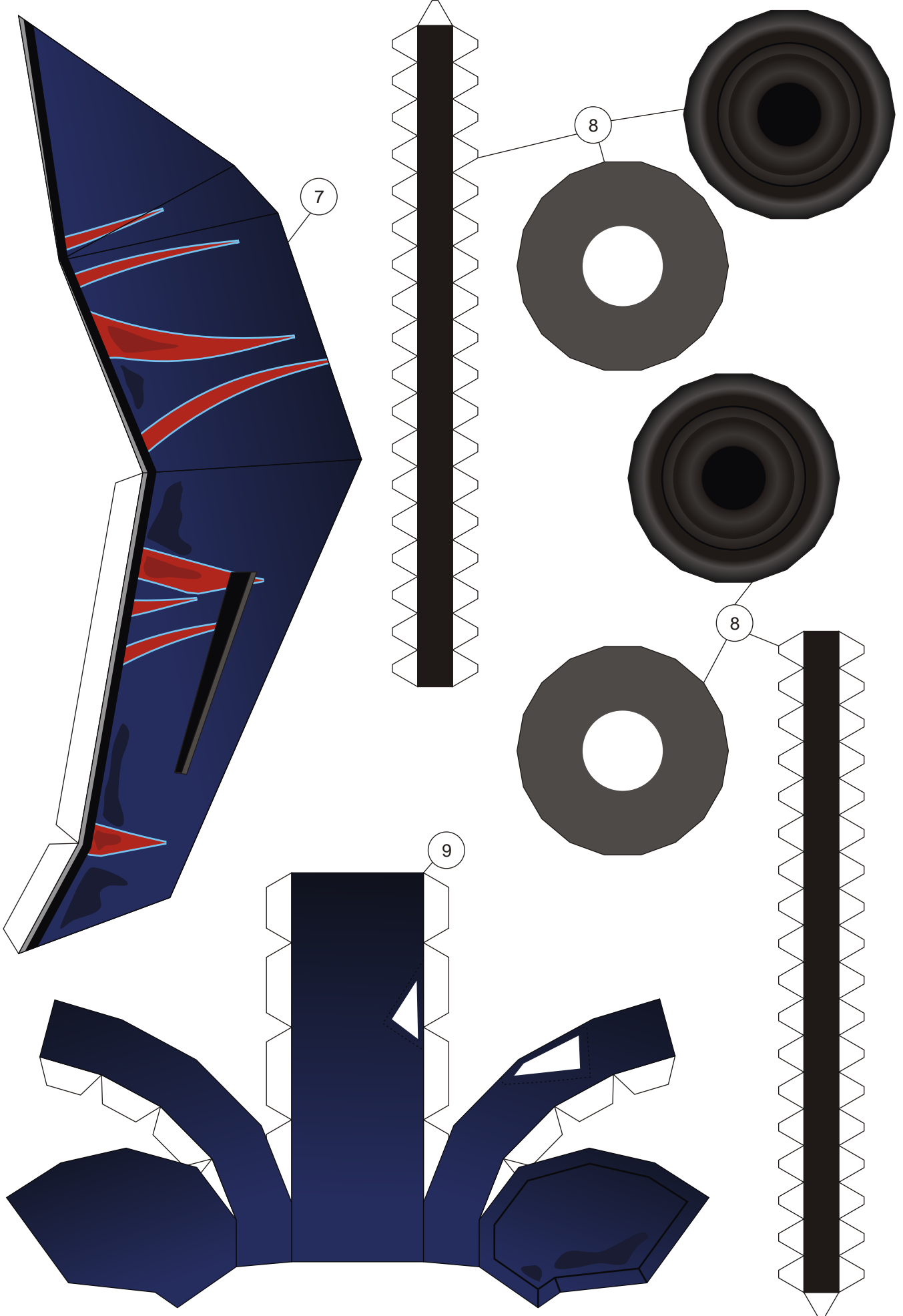
All for free models

**Paper-replika.com**

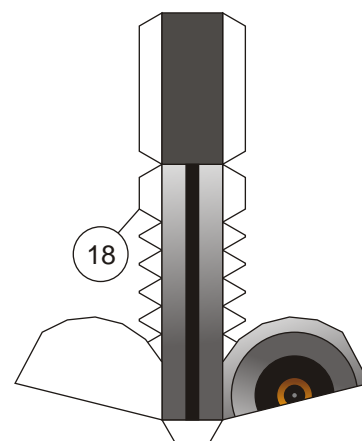
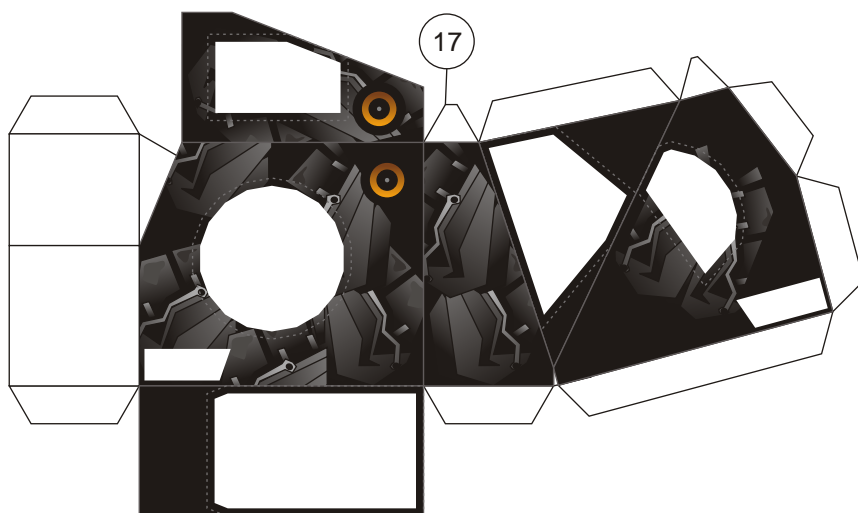
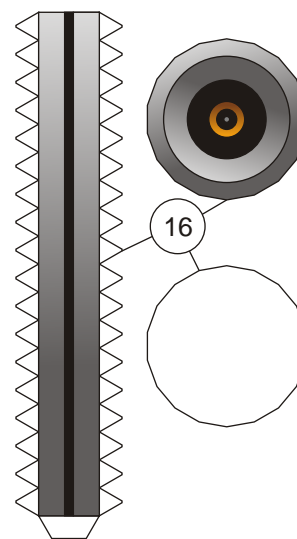
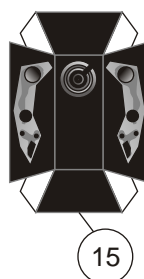
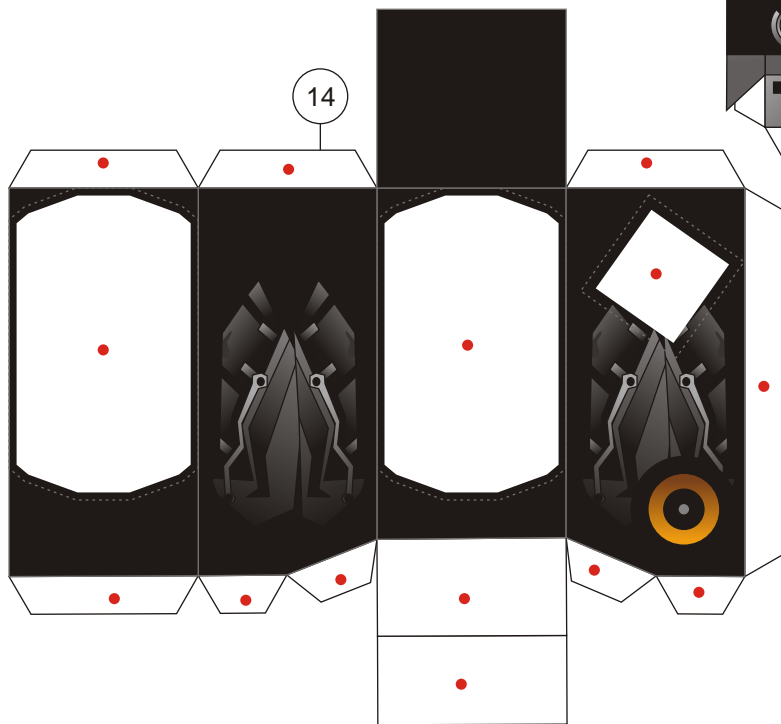
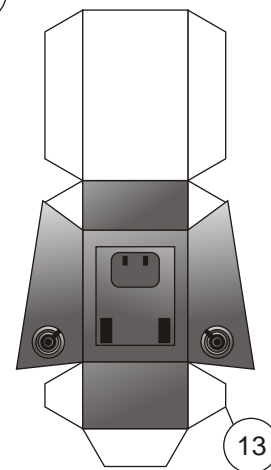
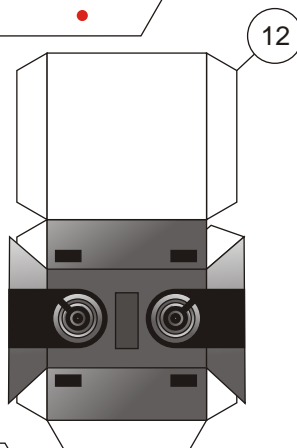
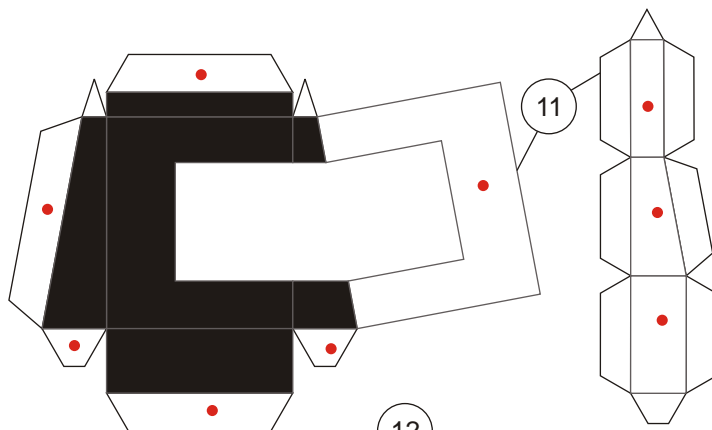
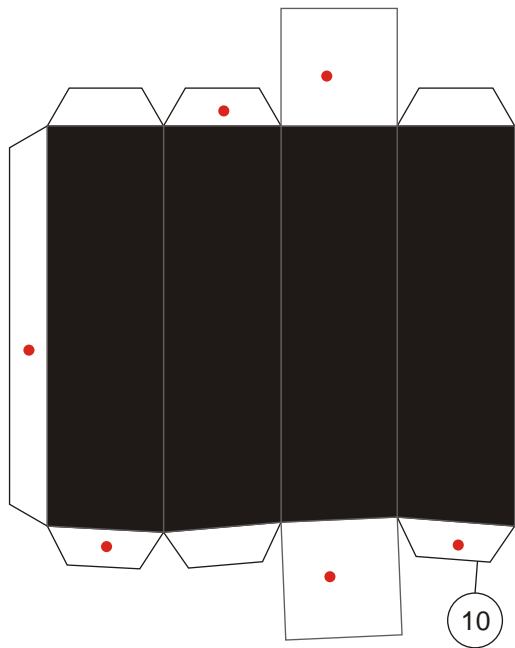
RIGHT



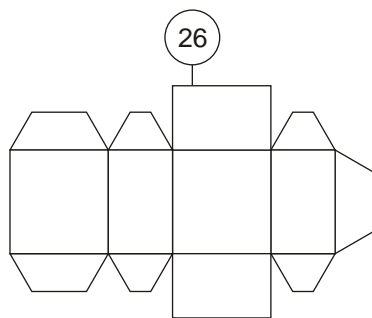
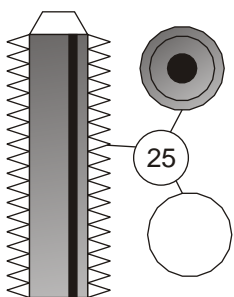
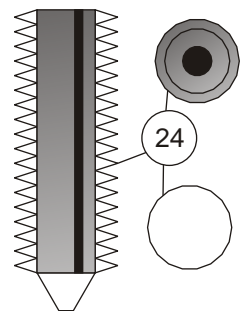
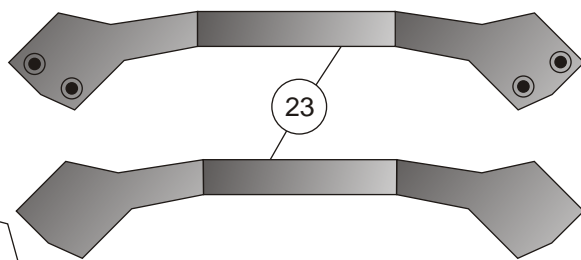
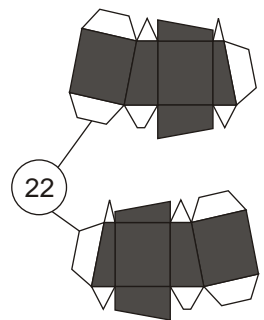
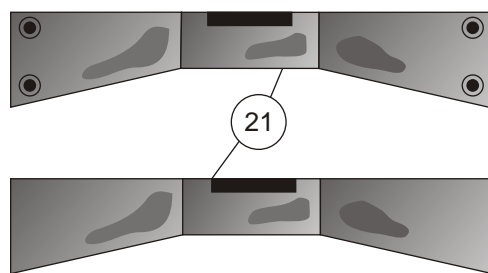
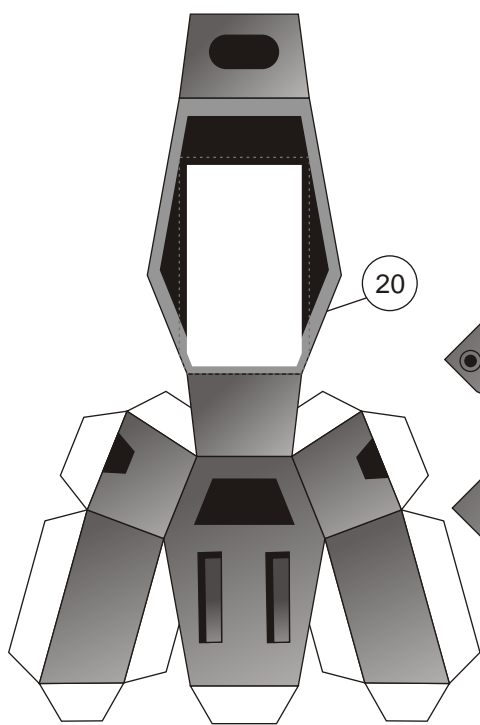
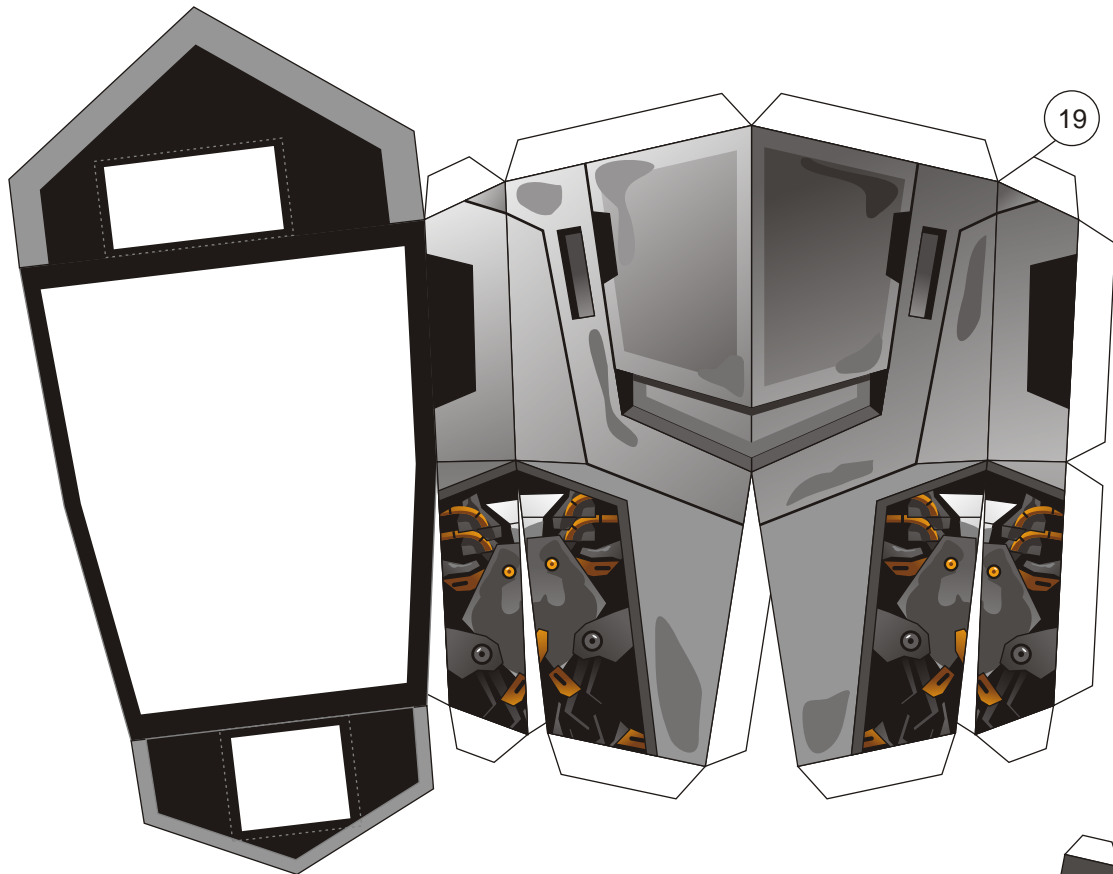
RIGHT



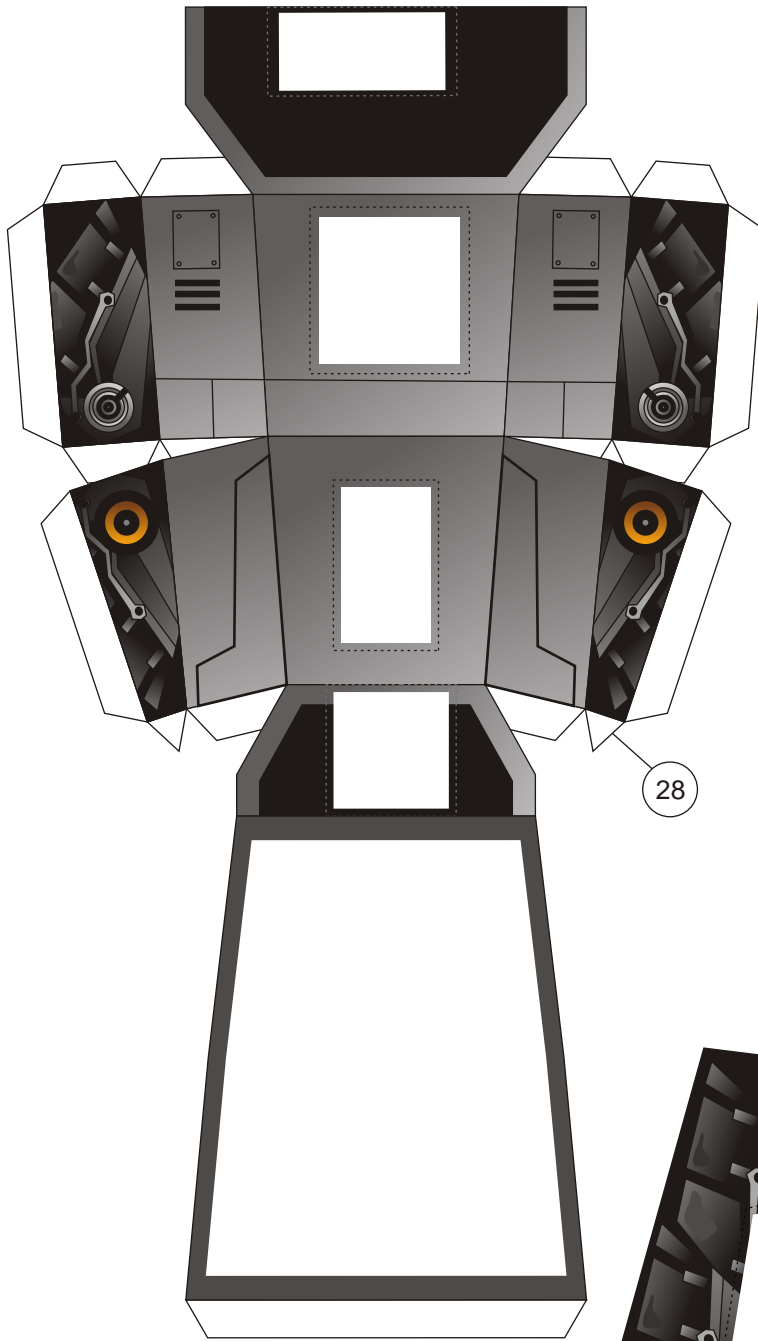
# RIGHT



RIGHT

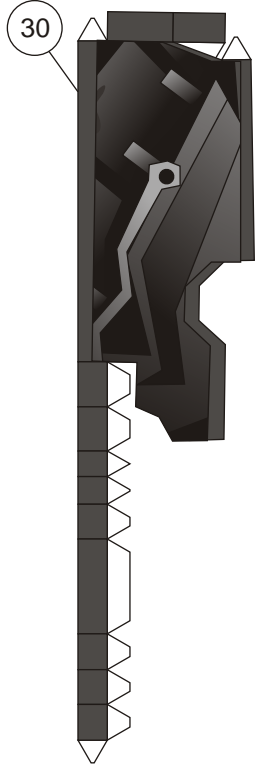


RIGHT



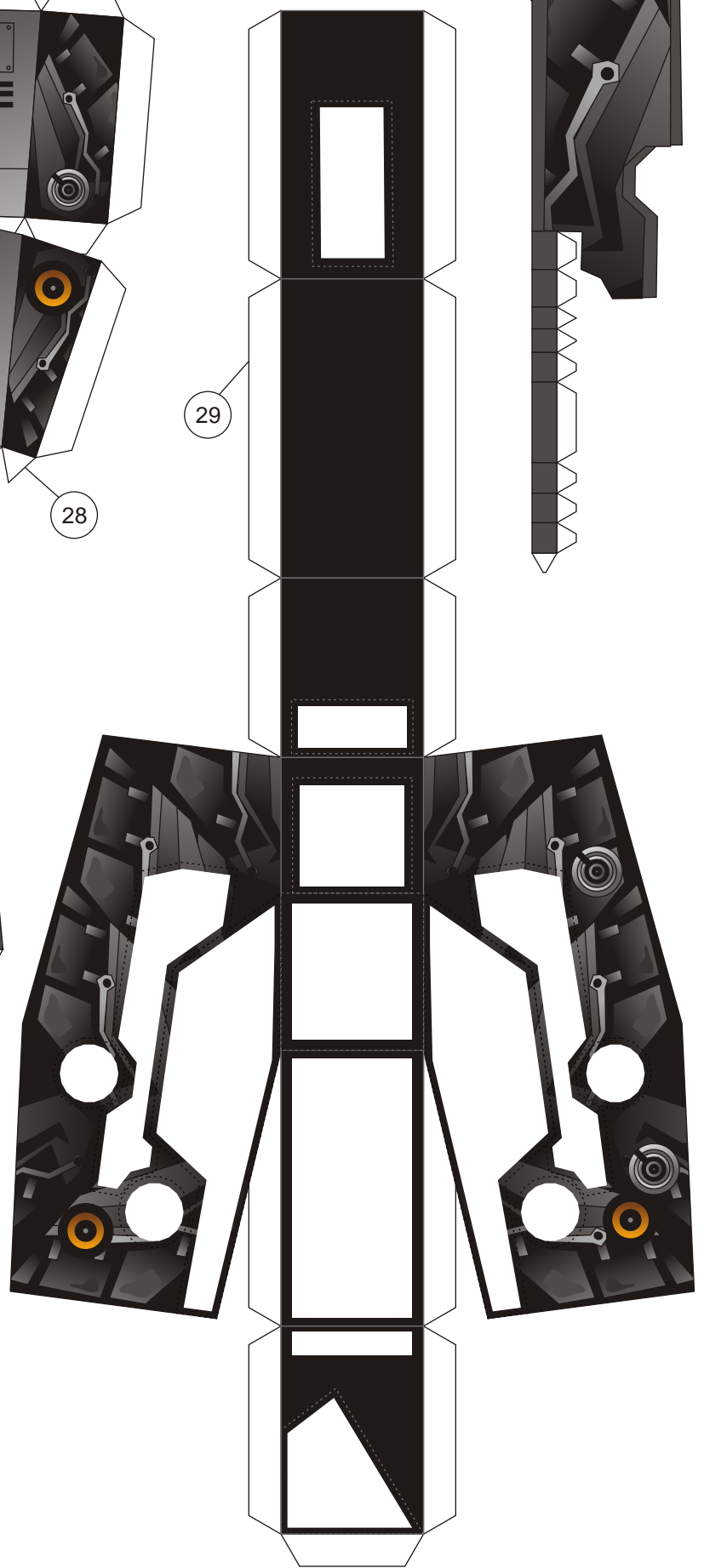
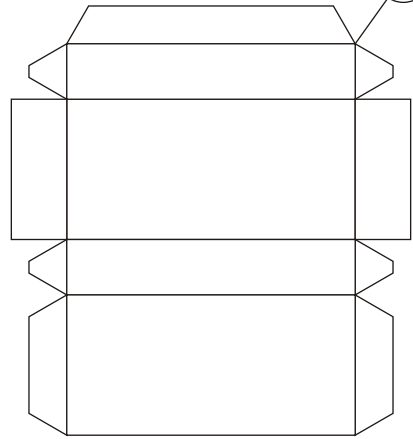
29

30

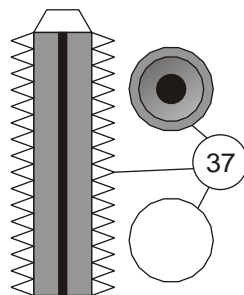
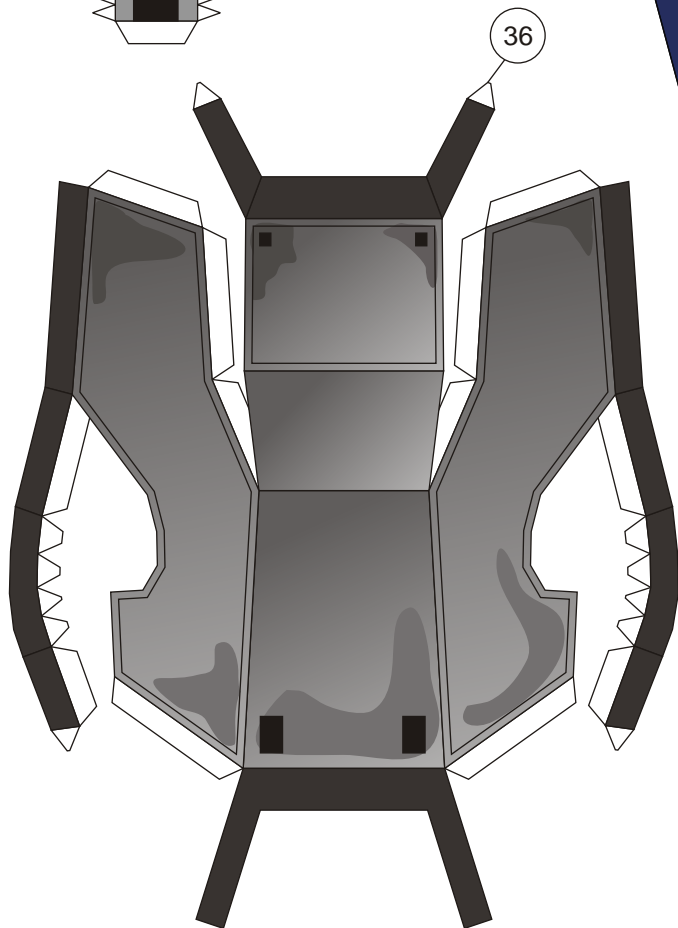
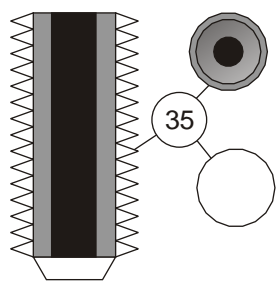
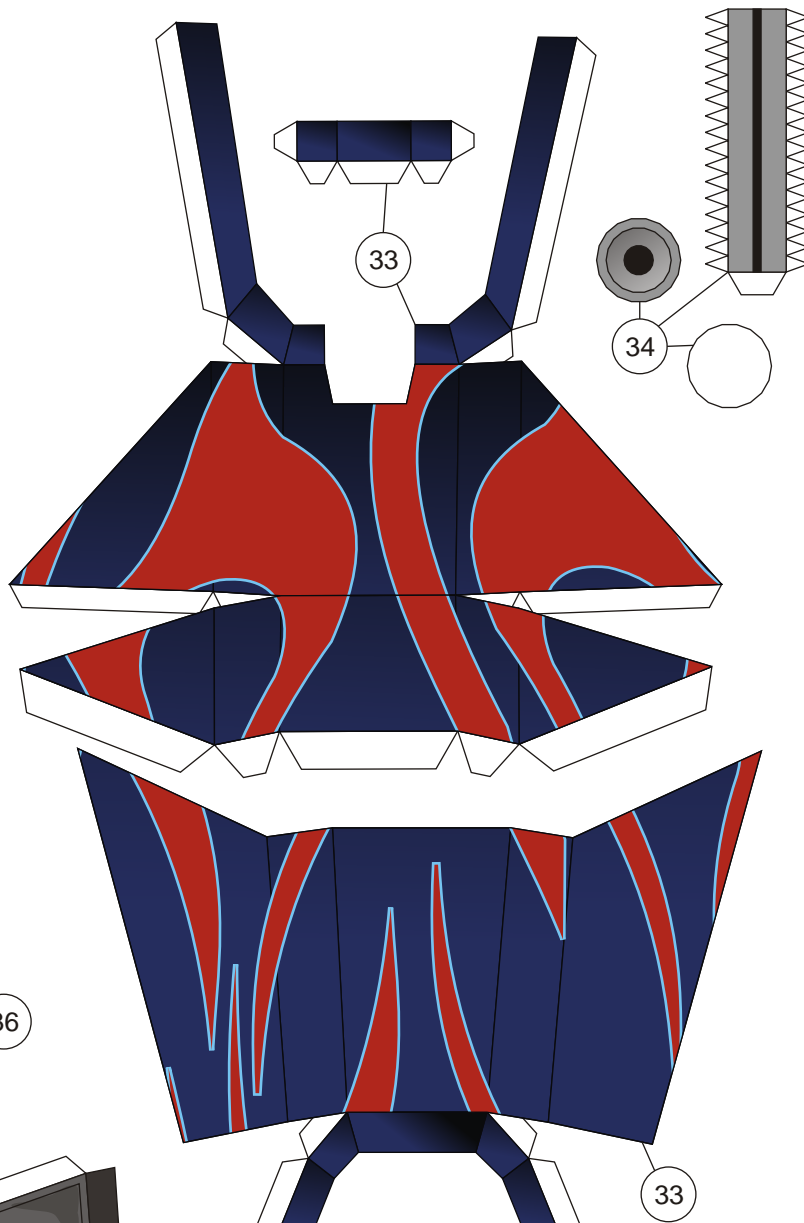
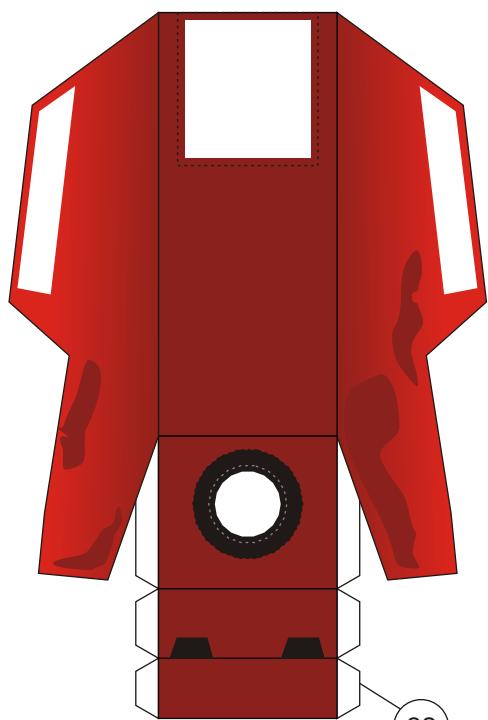


28

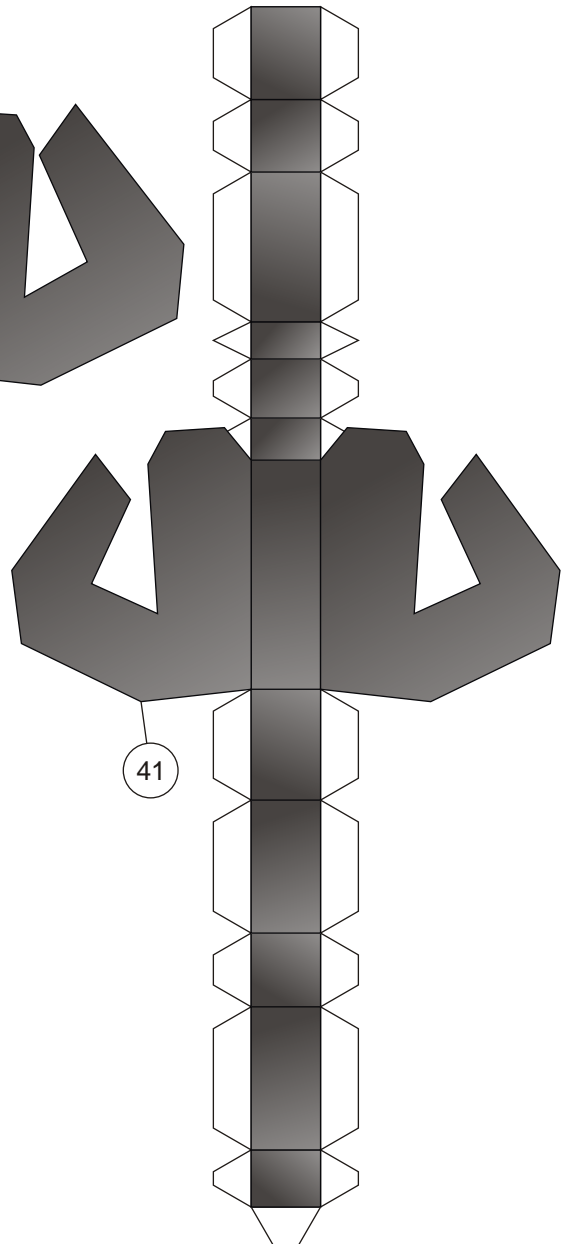
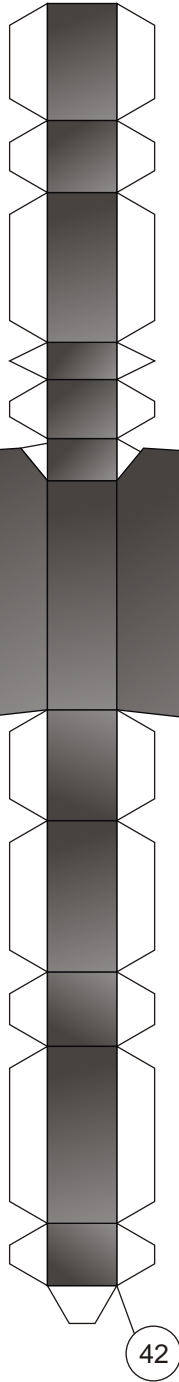
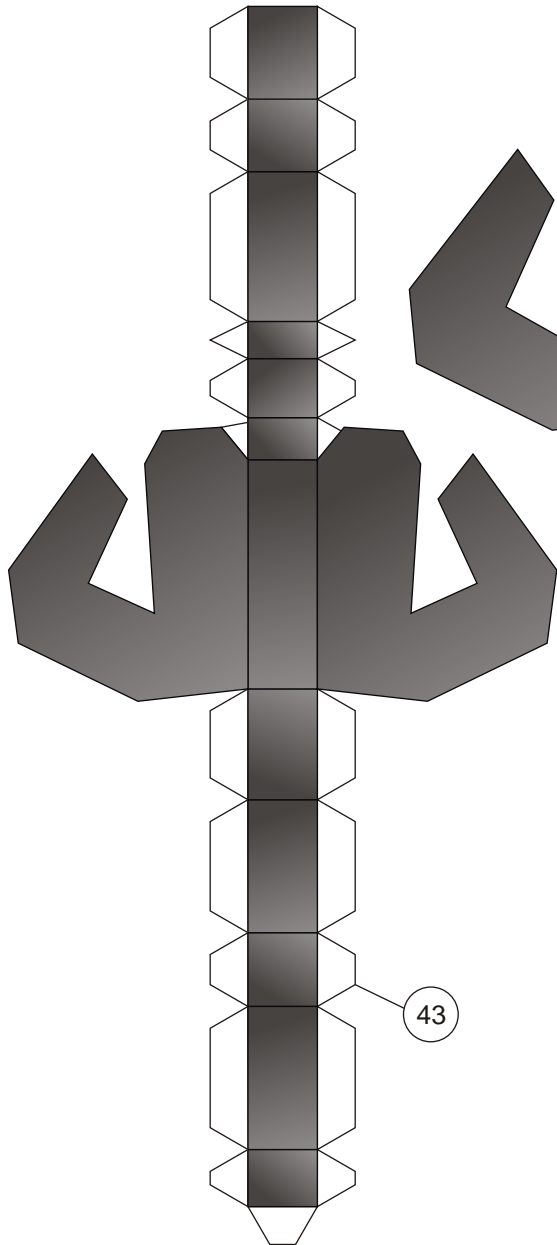
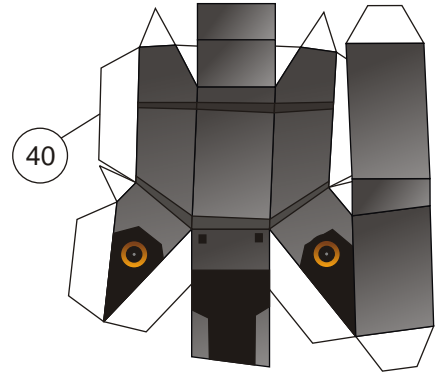
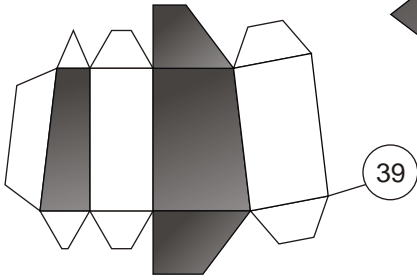
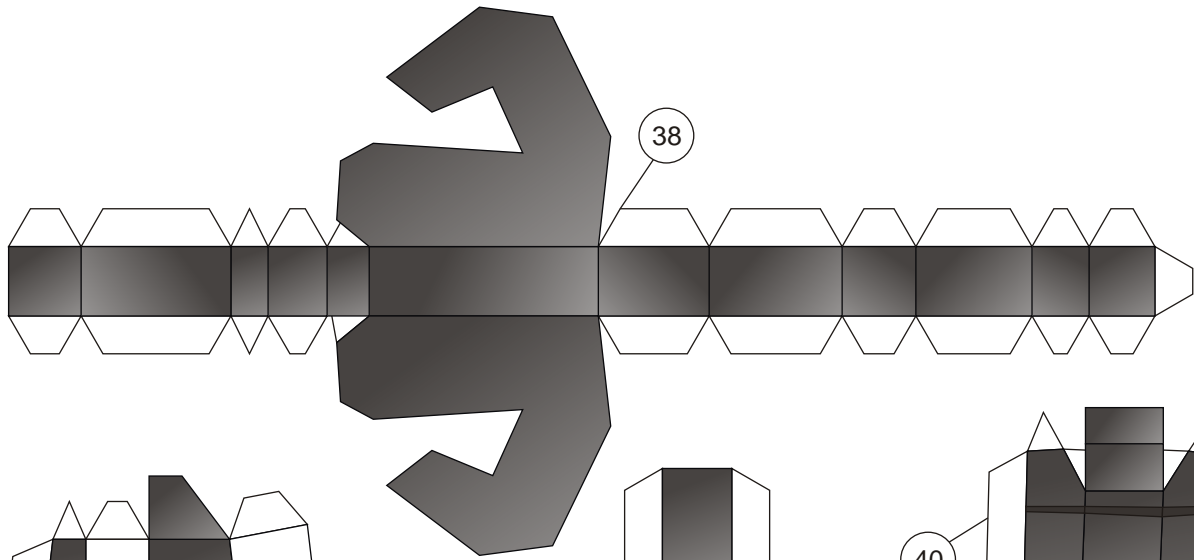
31



RIGHT

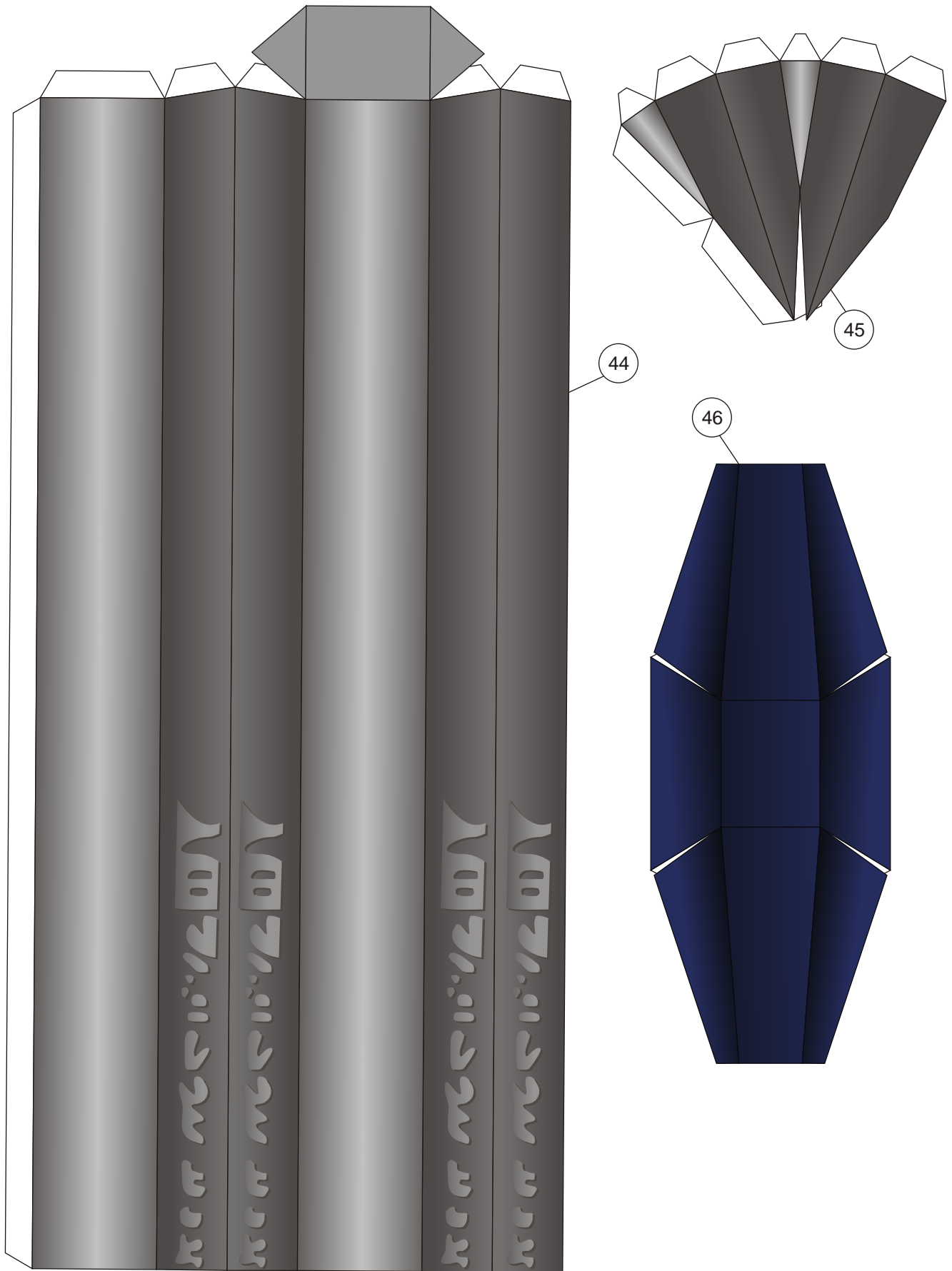


RIGHT

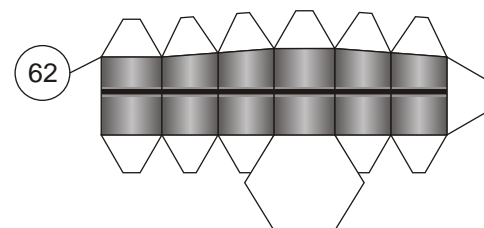
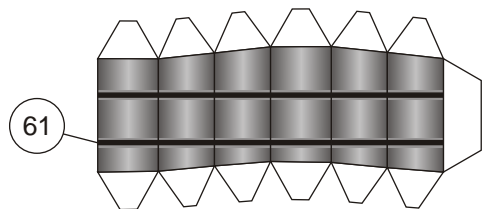
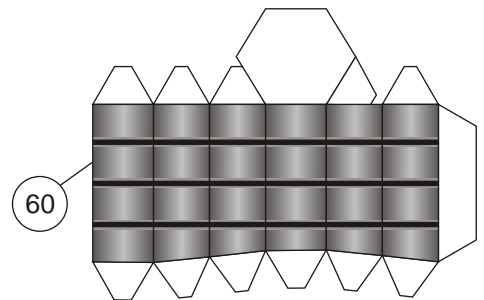
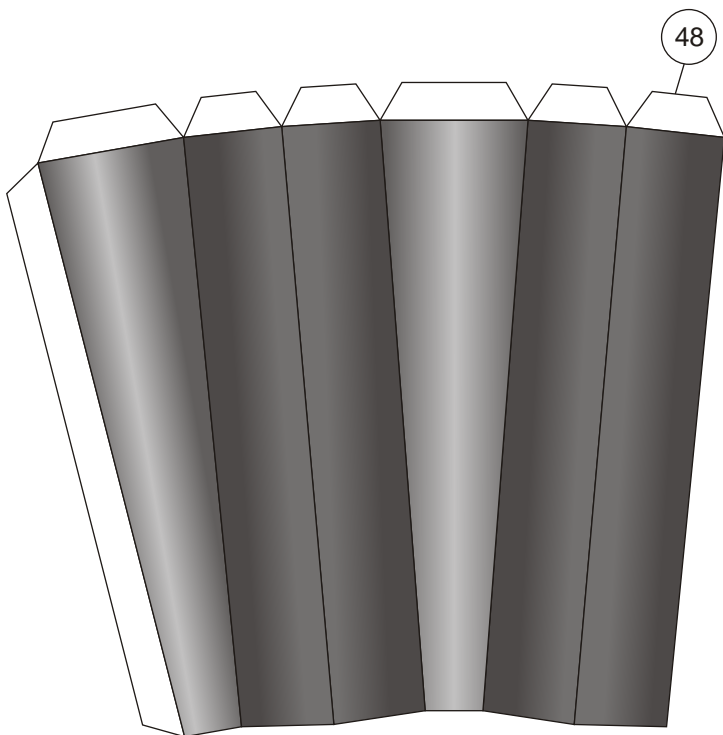
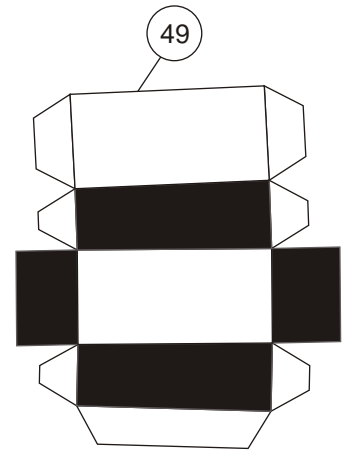
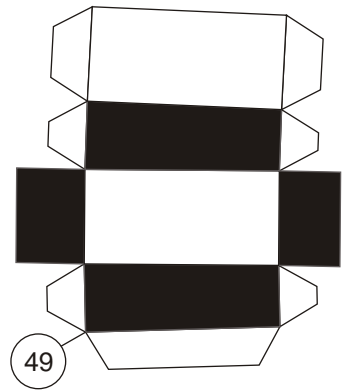
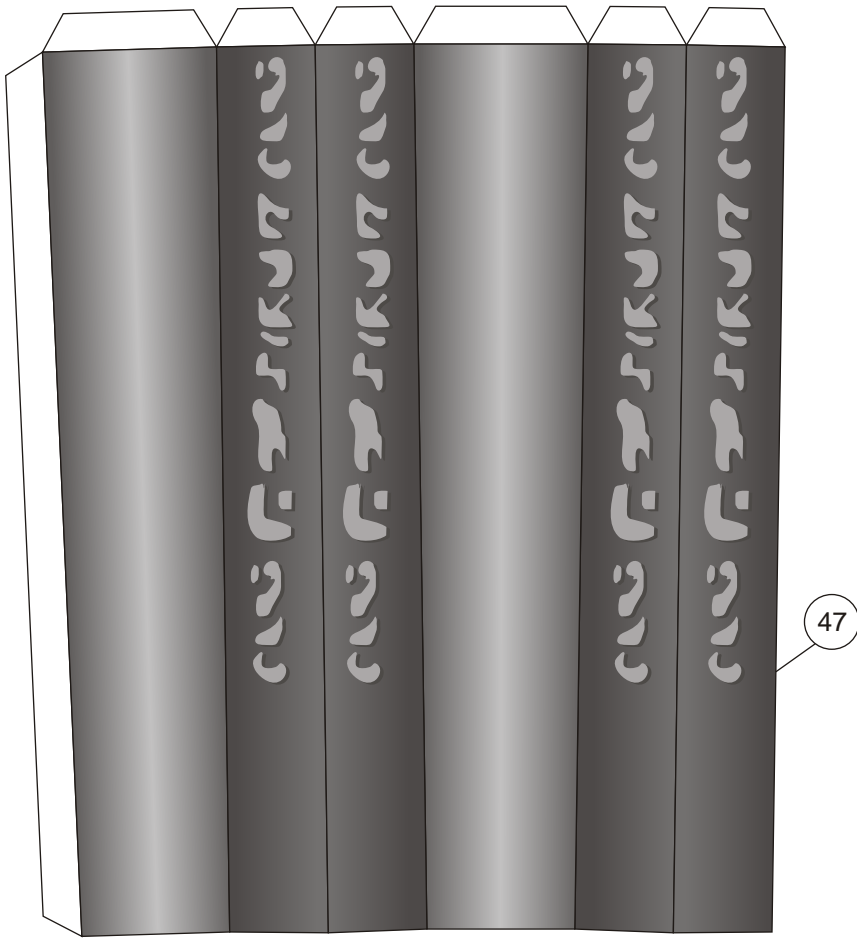




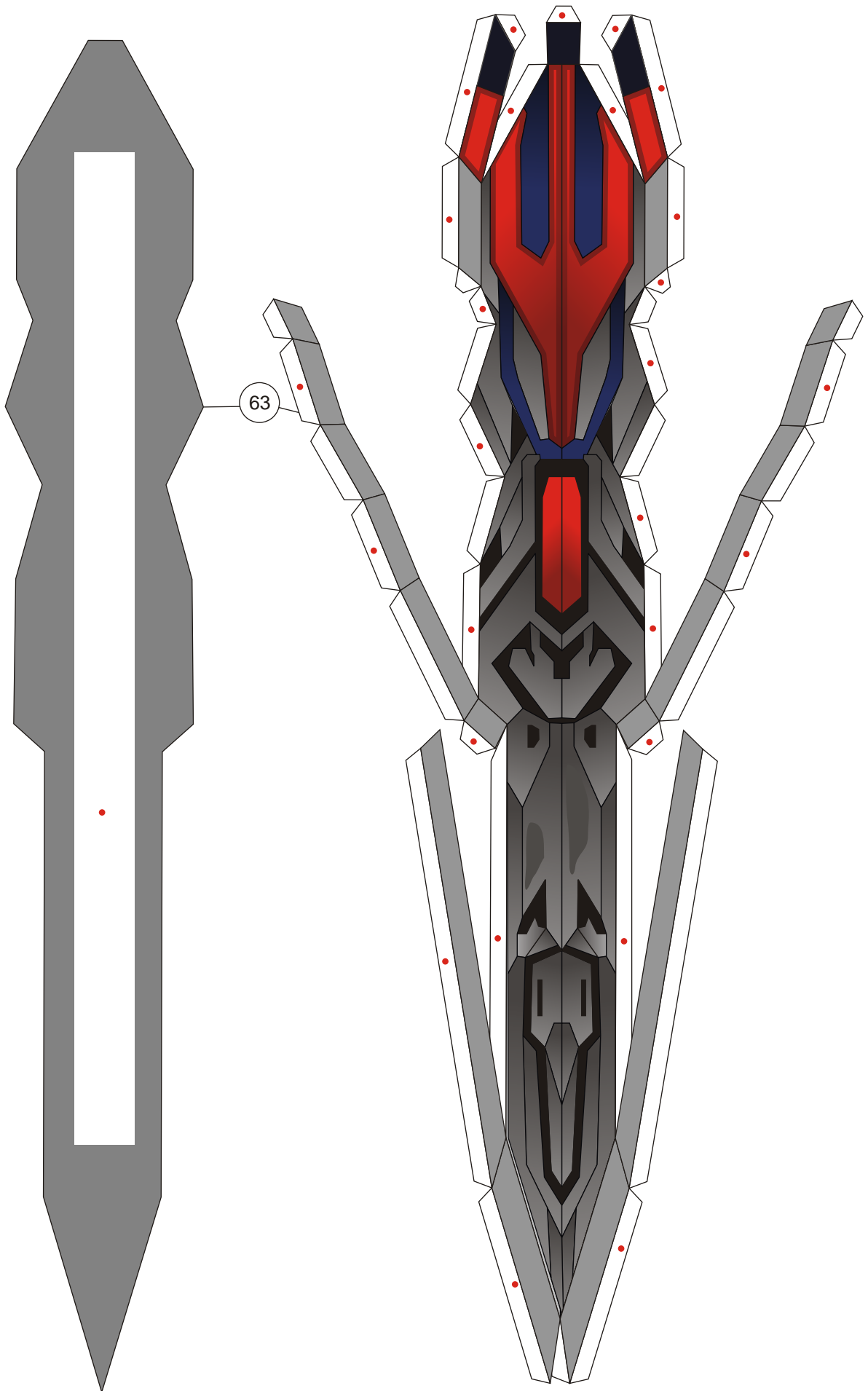
# SWORD



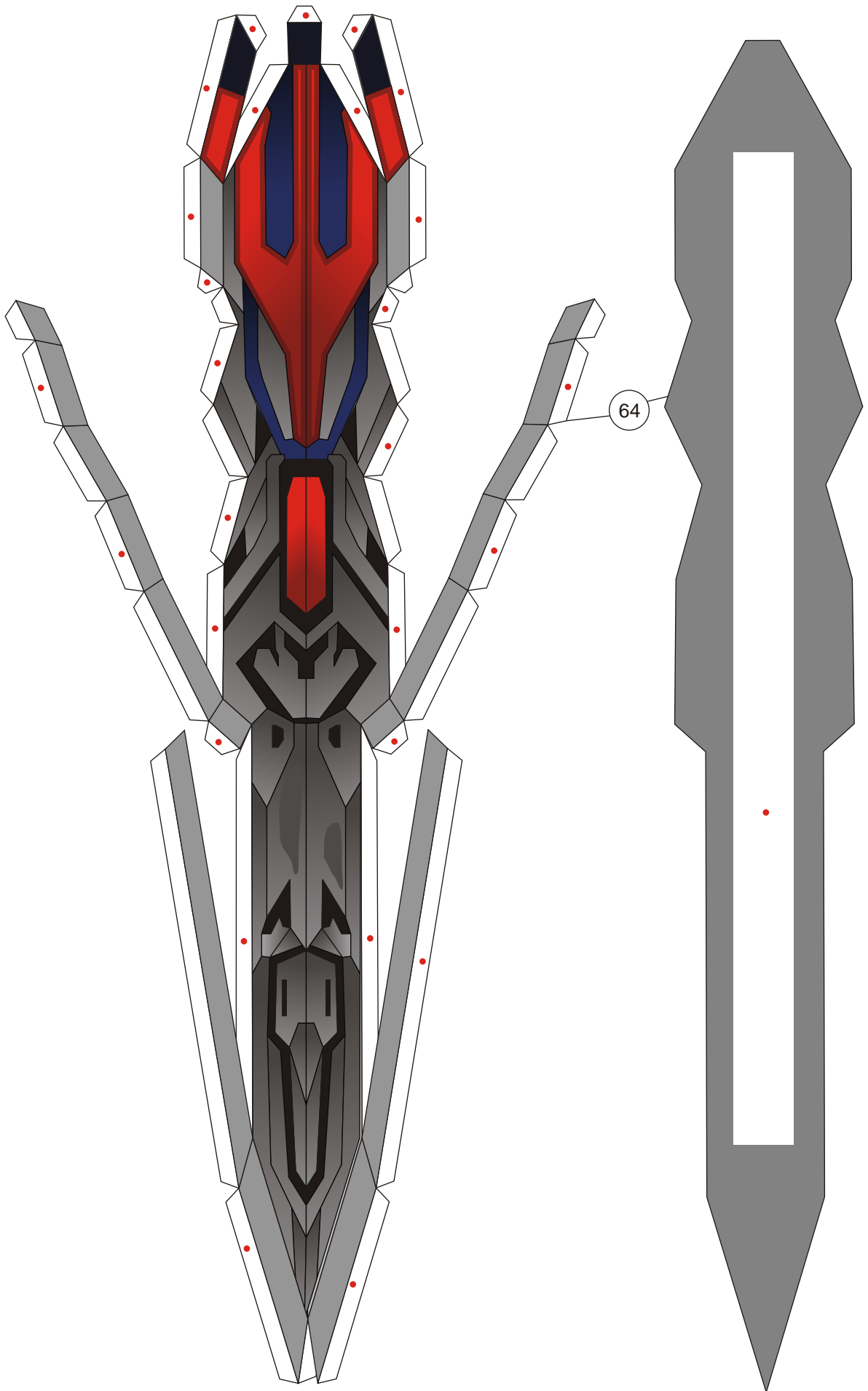
# SWORD



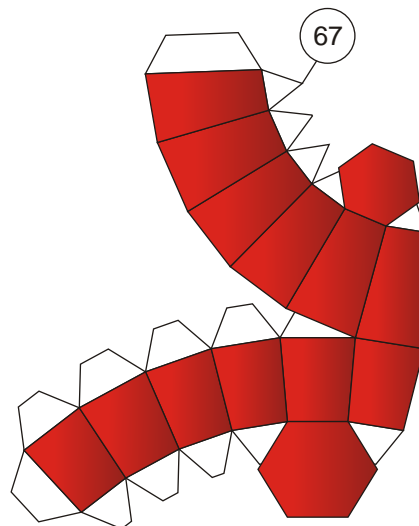
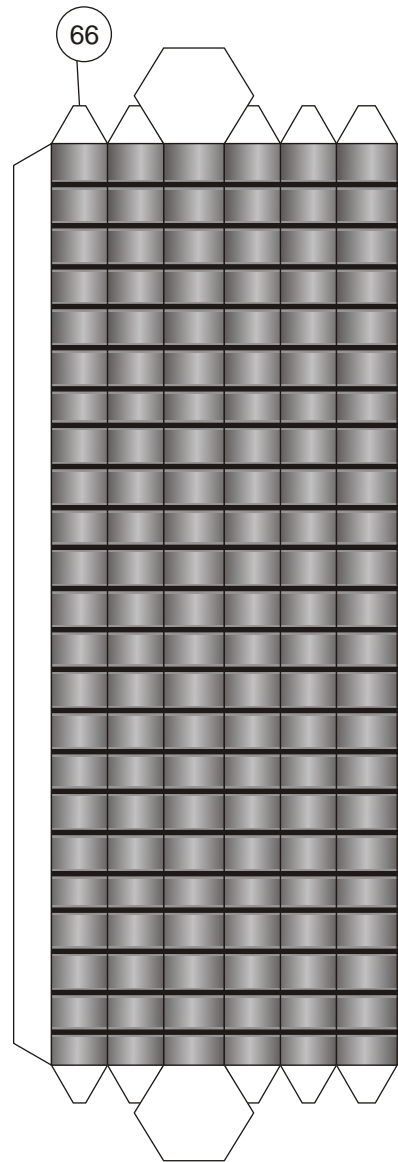
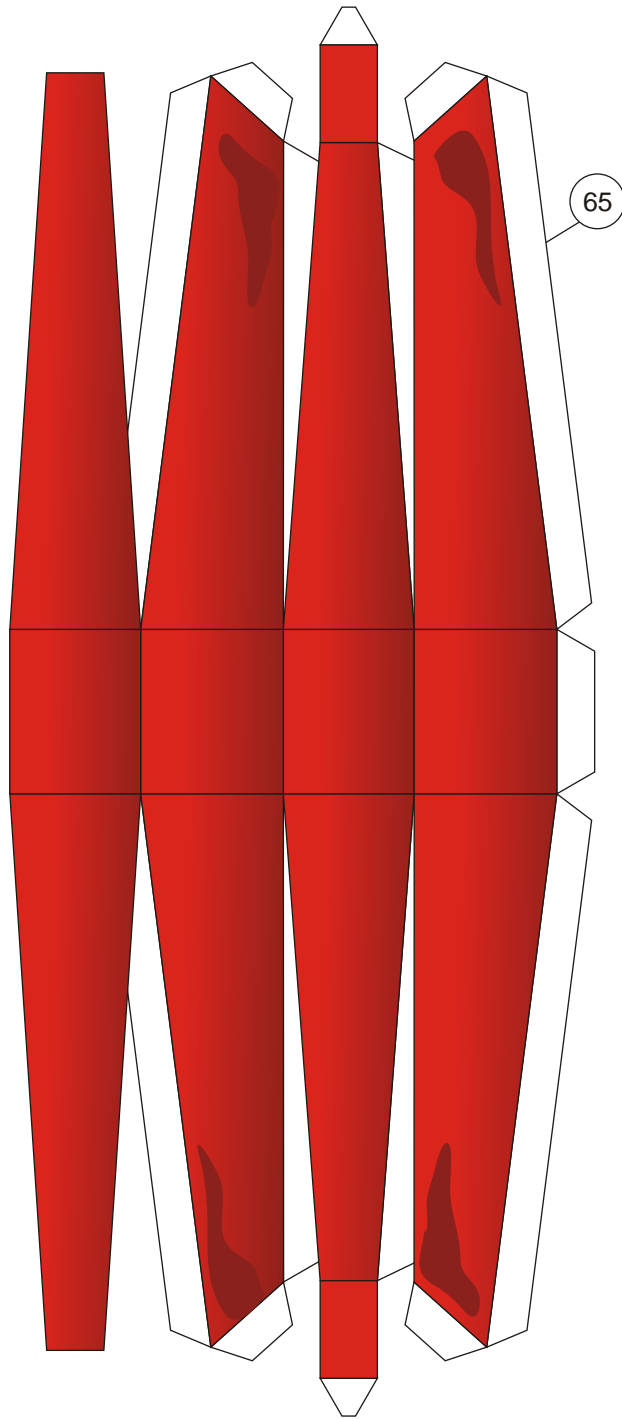
# SWORD



# SWORD



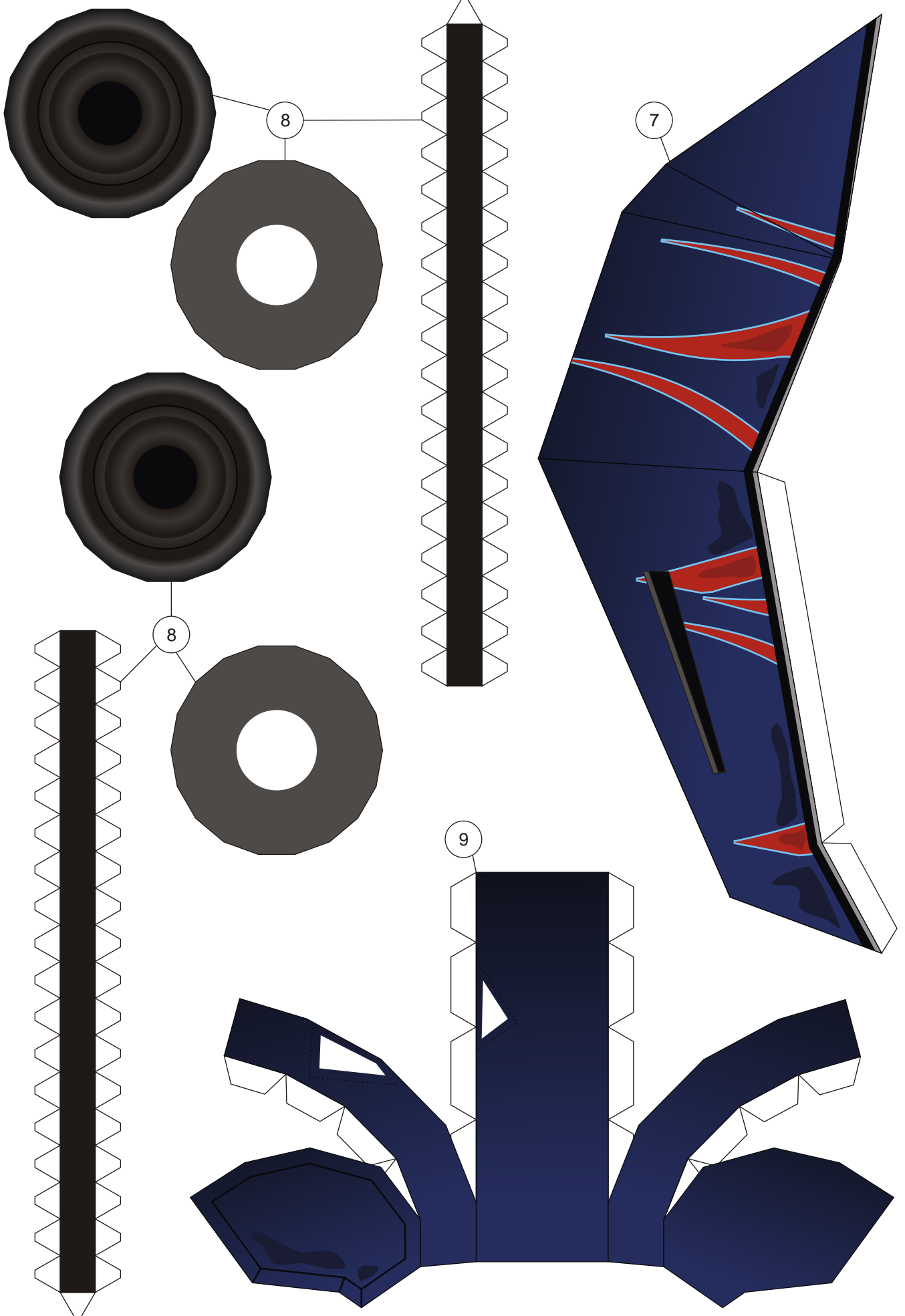
# SWORD



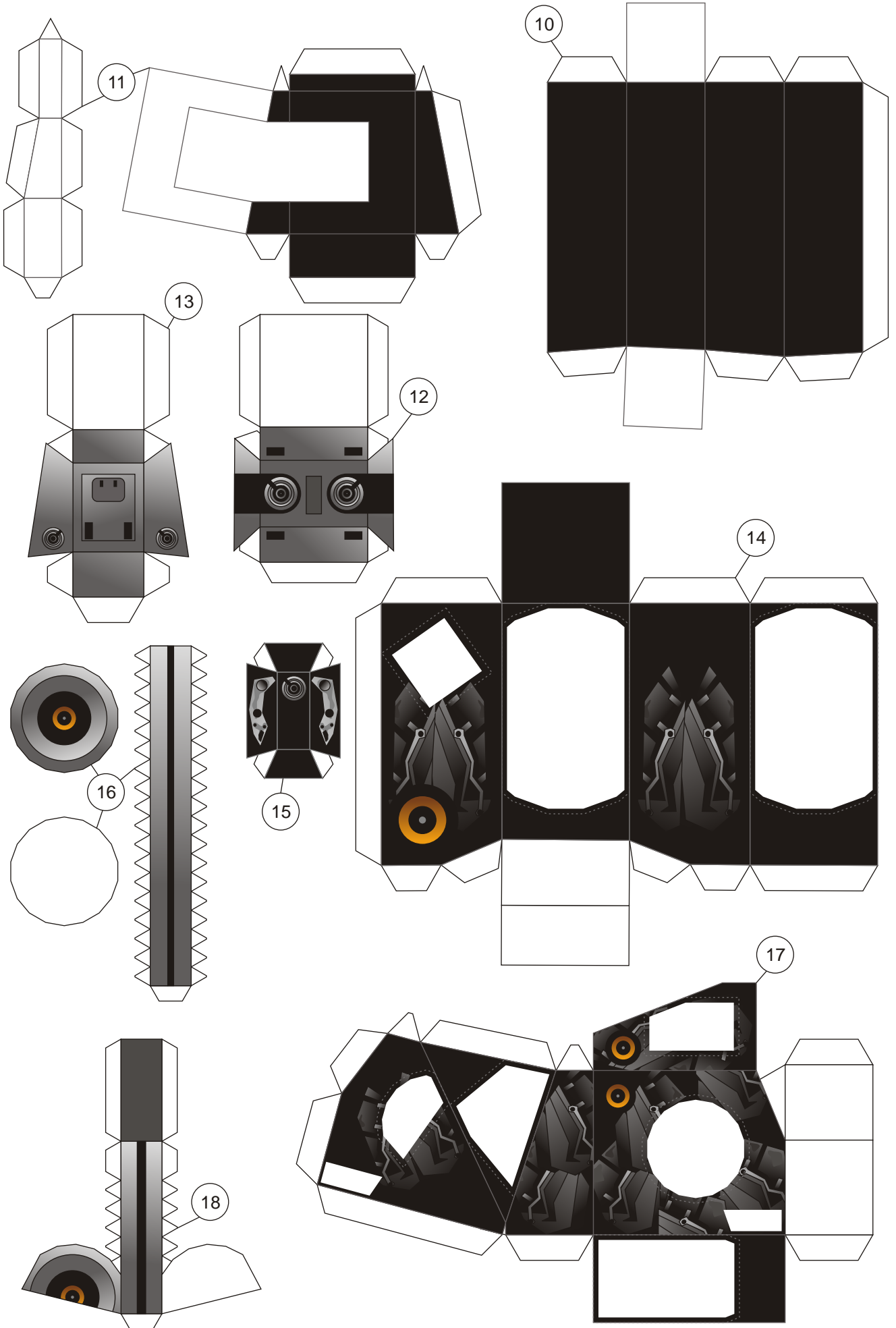
LEFT



LEFT

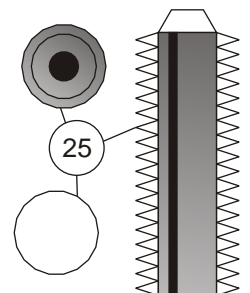
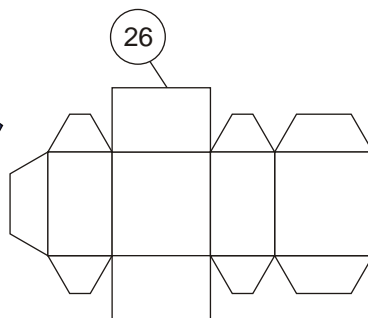
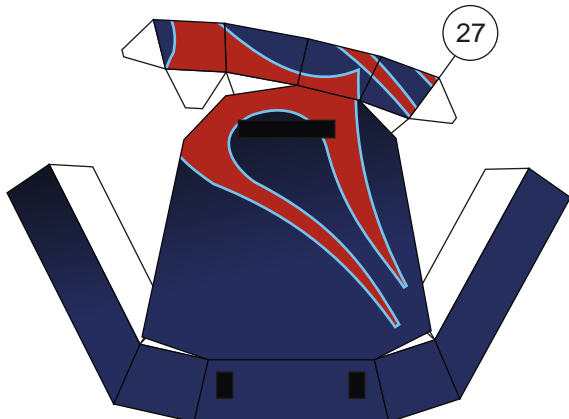
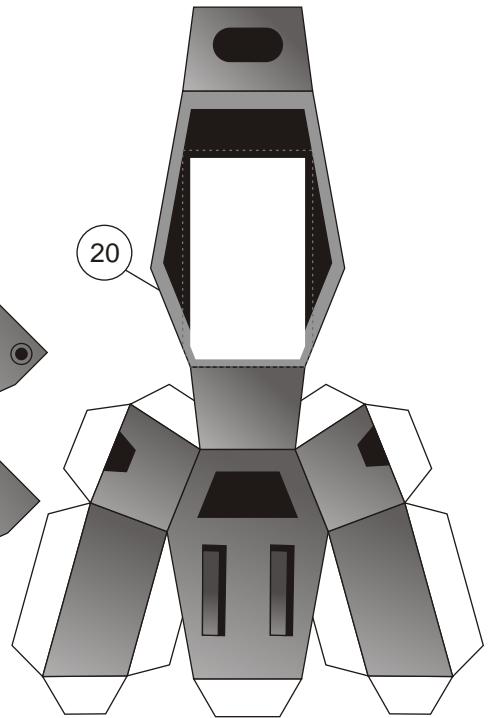
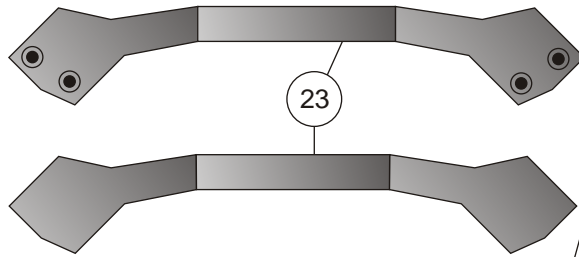
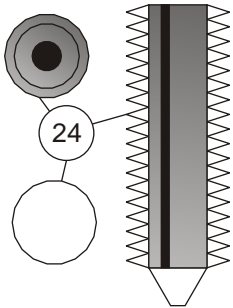
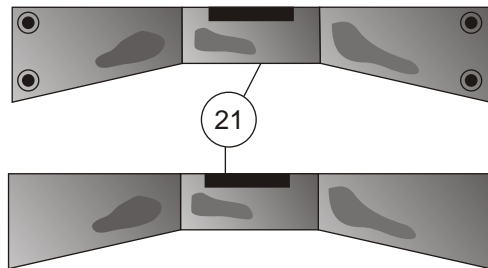
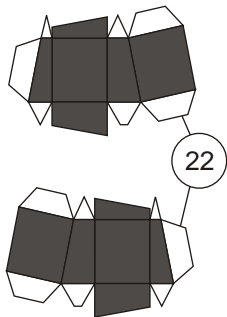
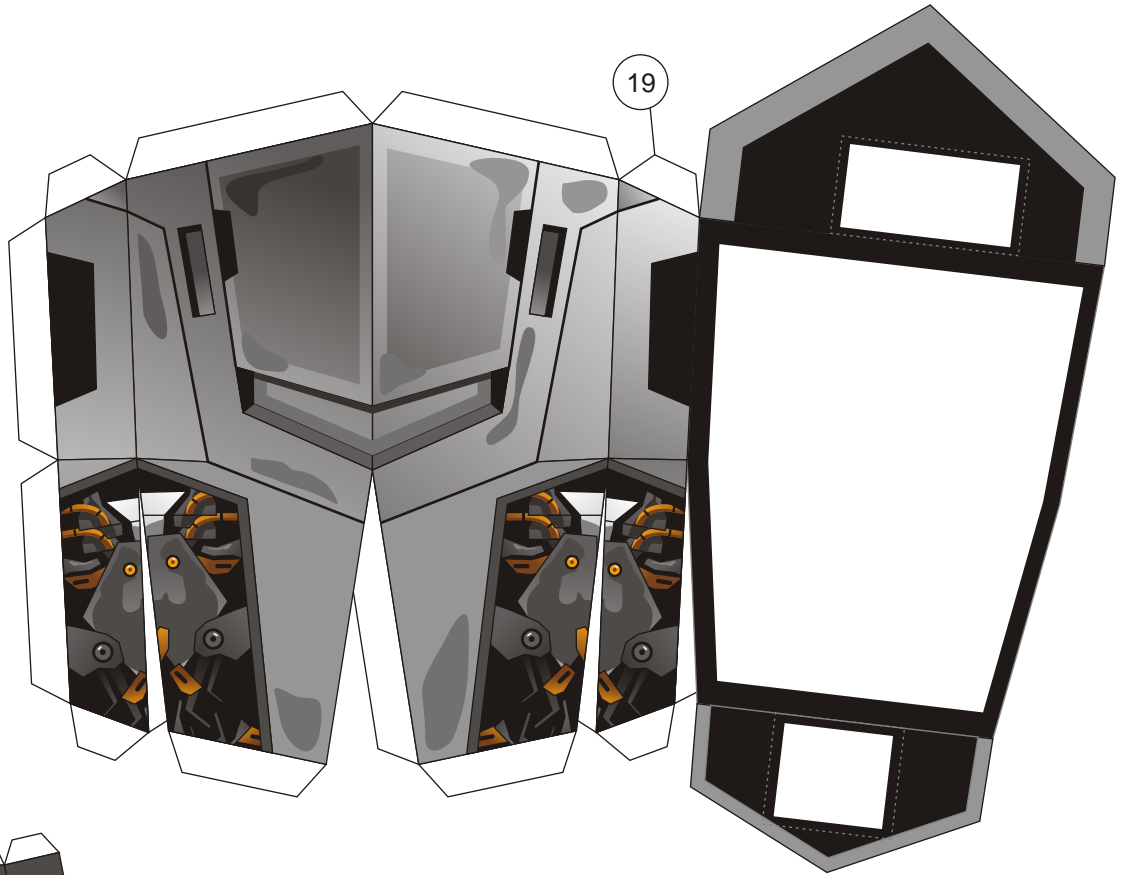


# LEFT

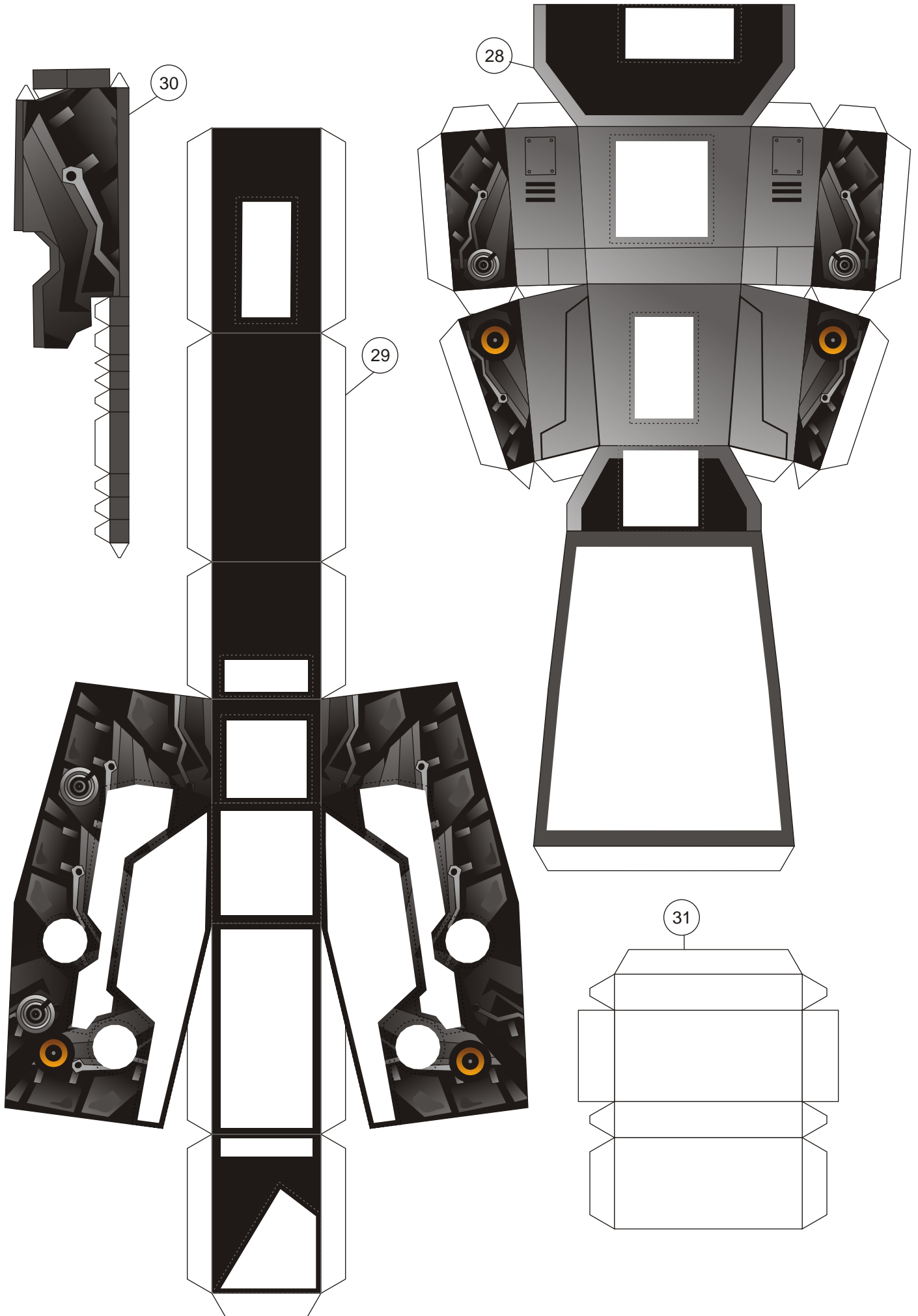




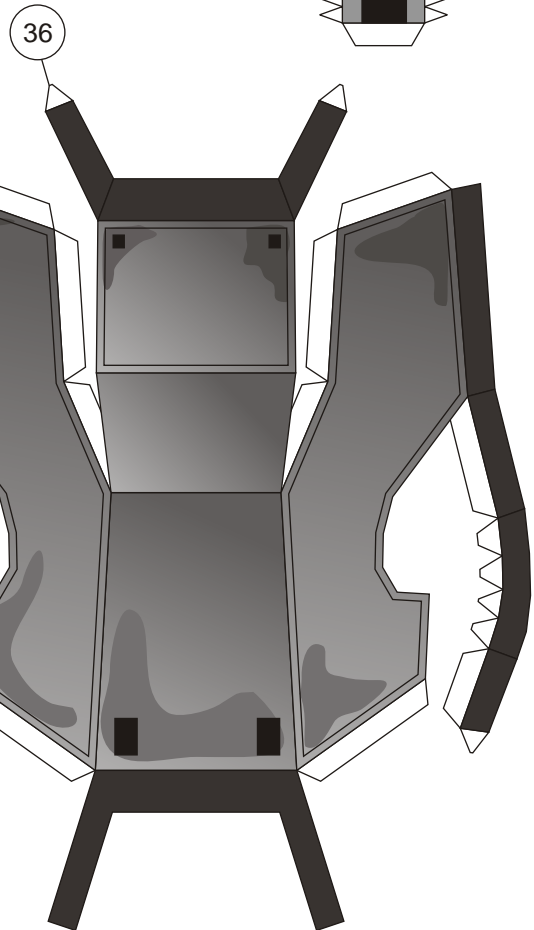
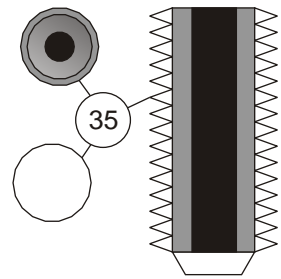
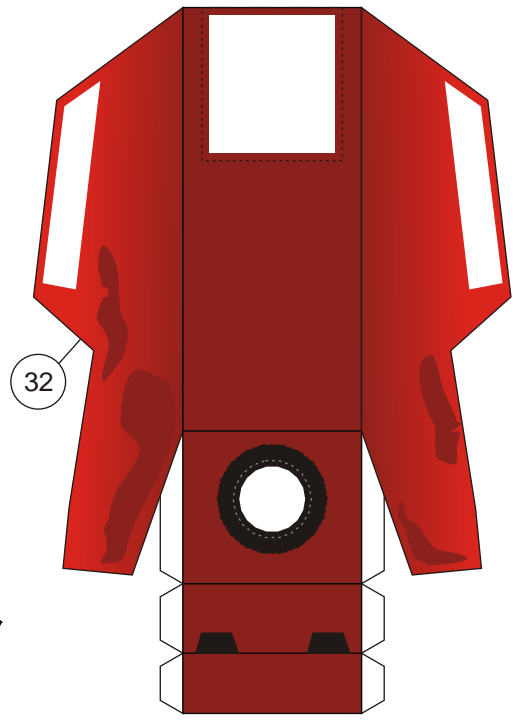
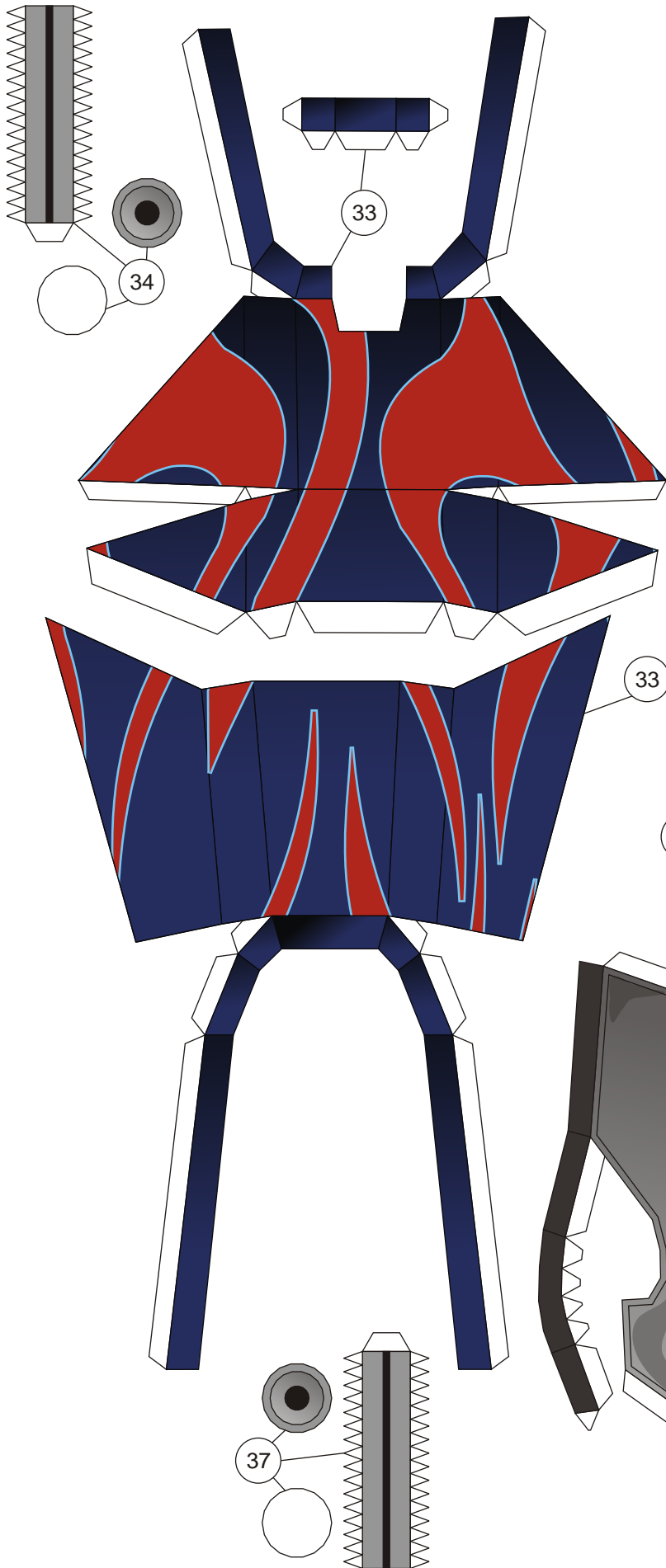
LEFT



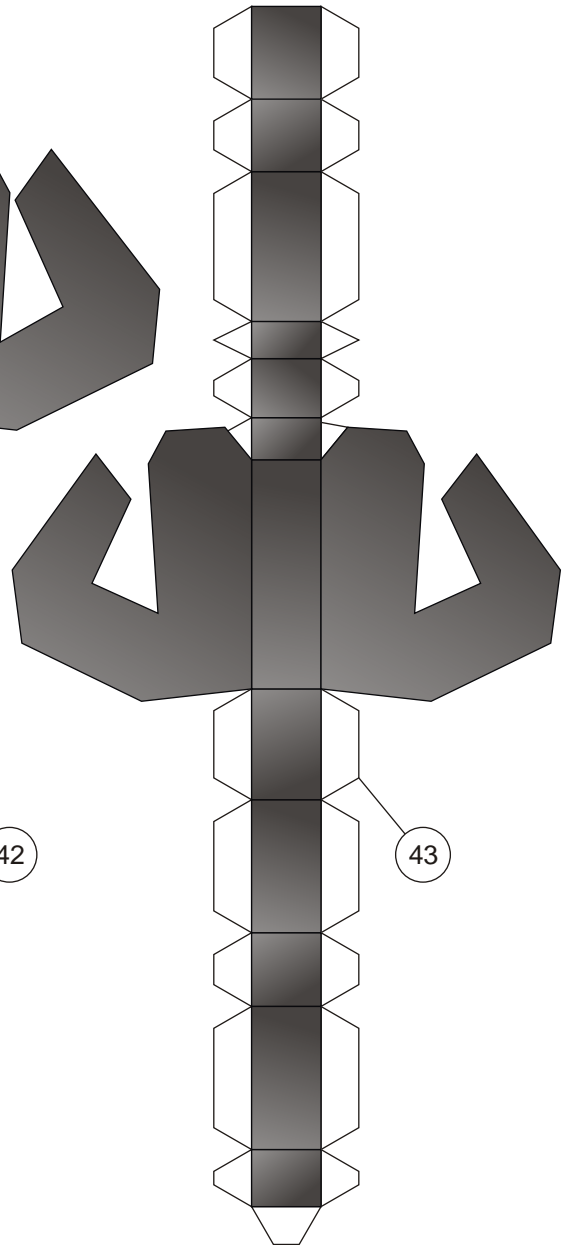
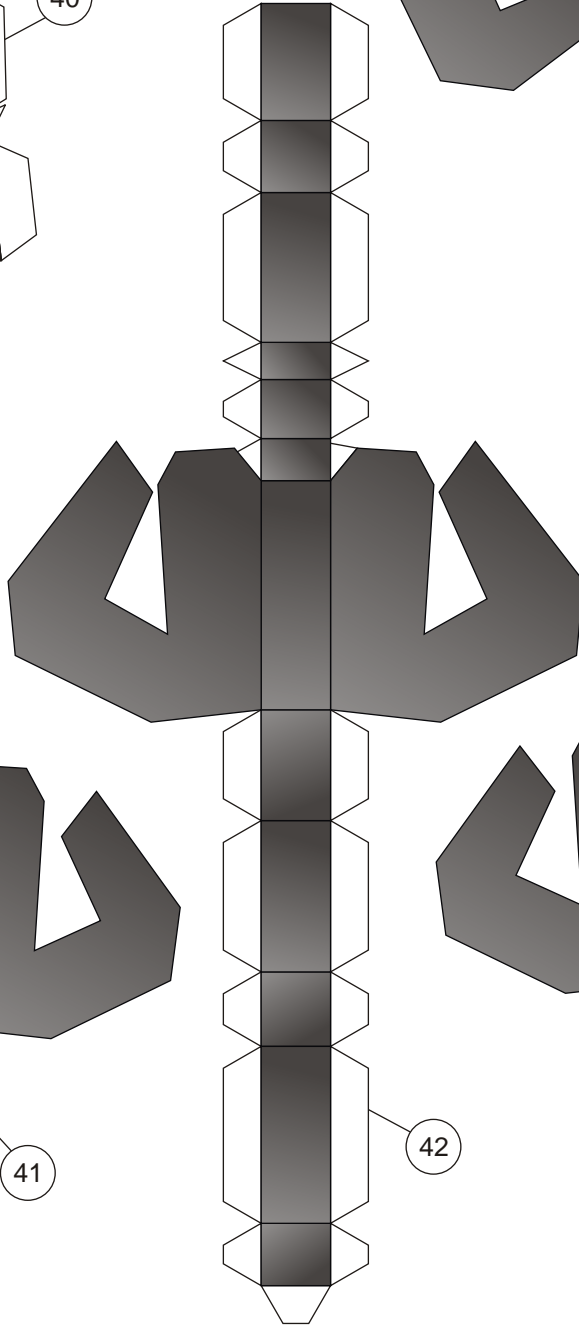
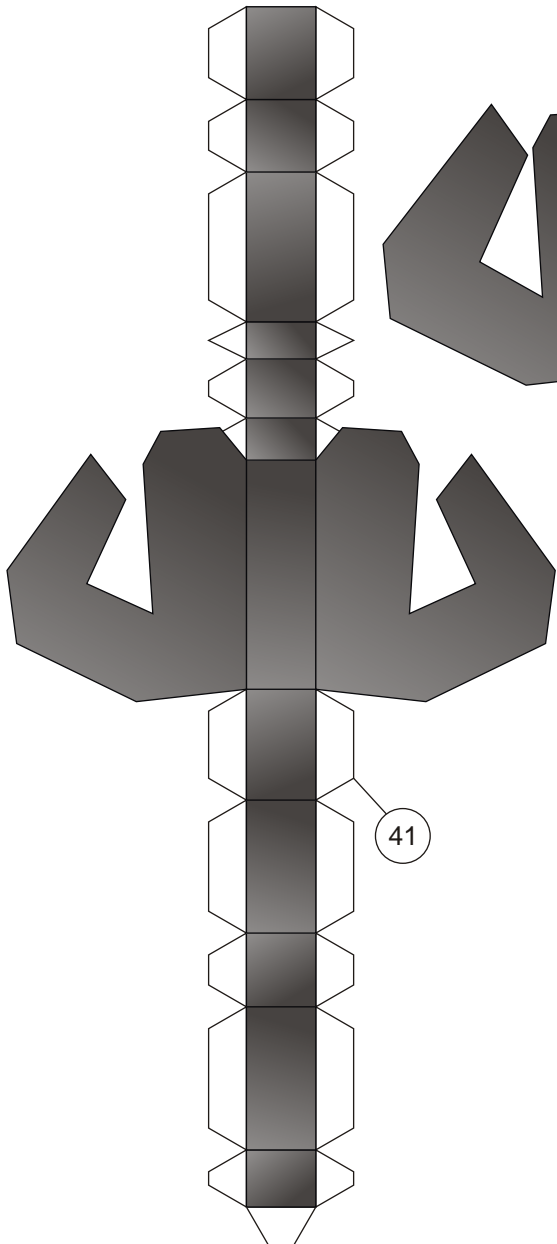
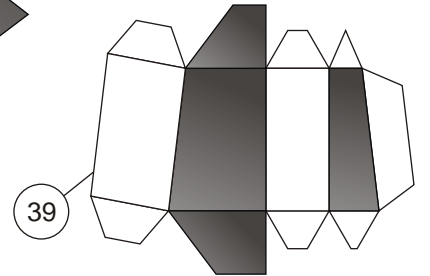
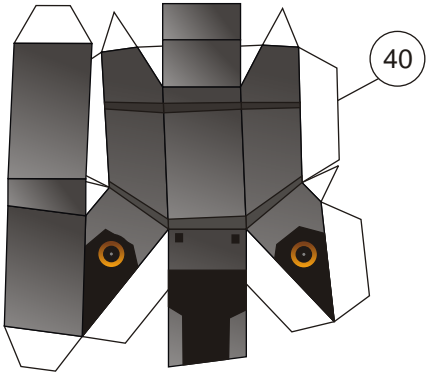
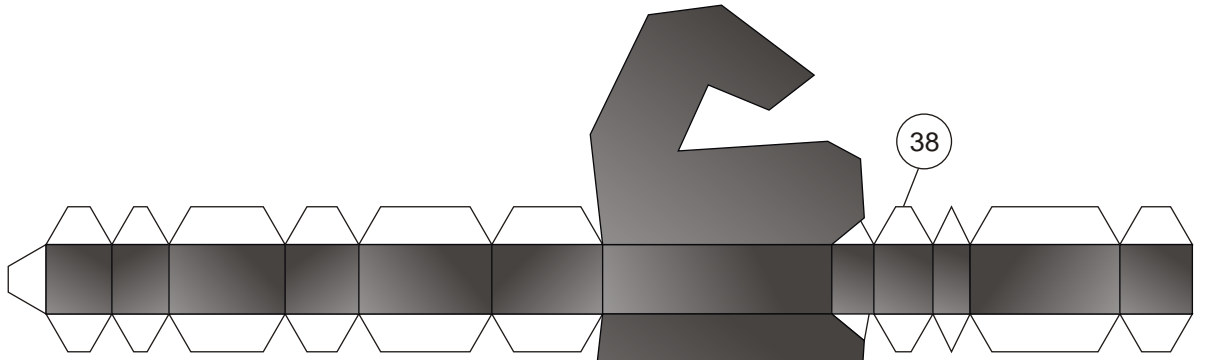
LEFT



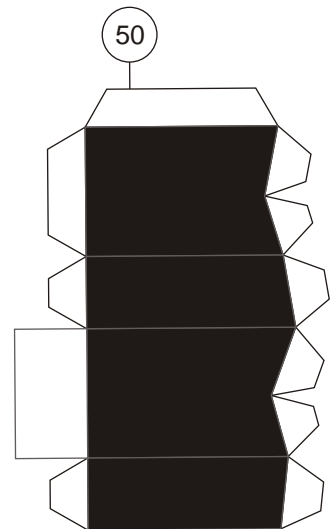
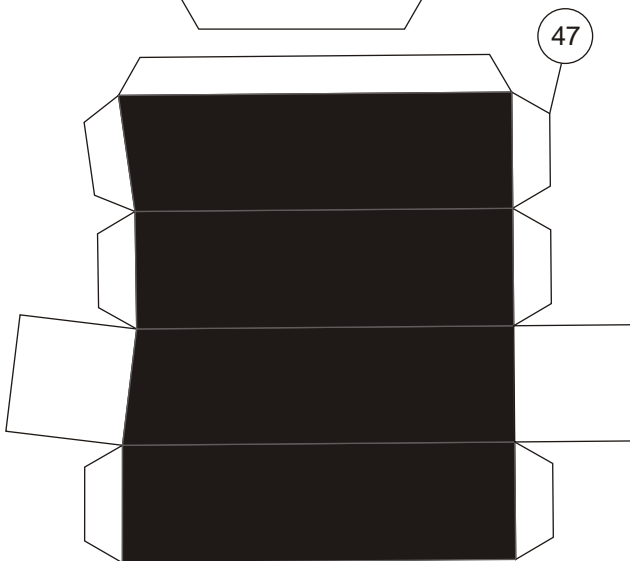
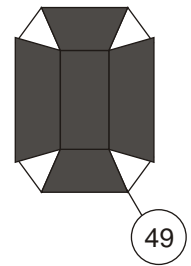
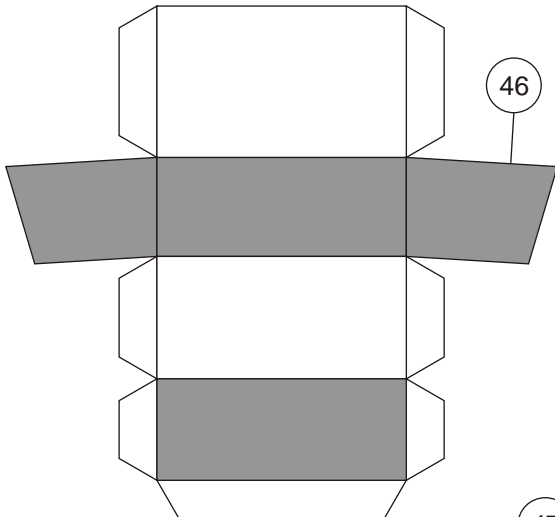
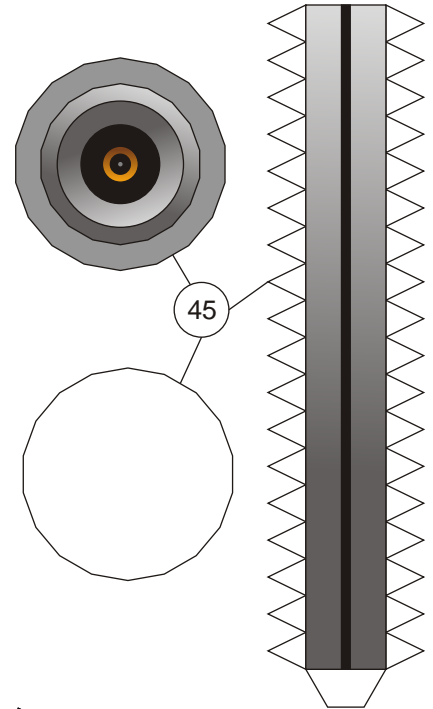
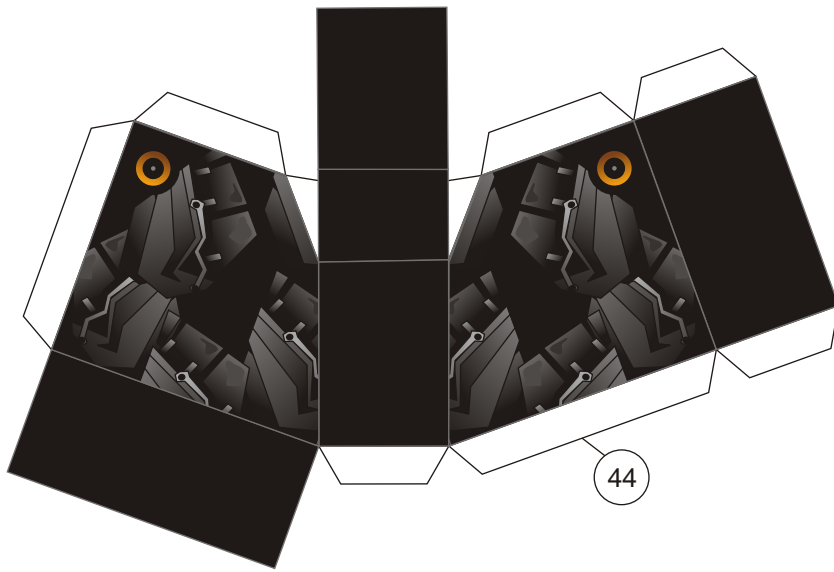
LEFT



LEFT



# POSE #2



# POSE #2

